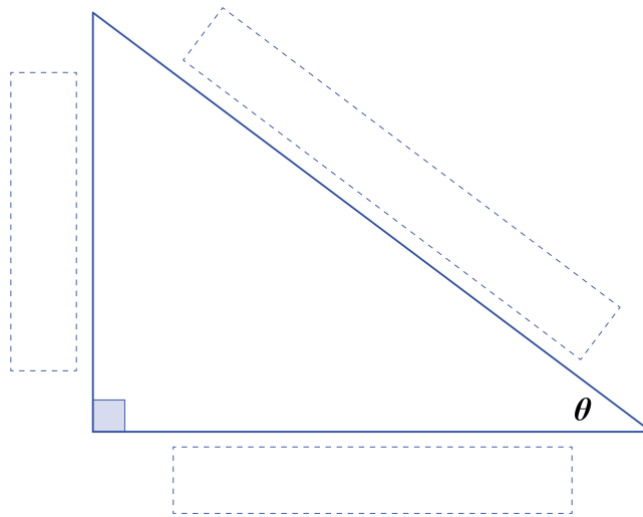


VOCABULARY

Opposite – Adjacent – Hypotenuse

Use one of the following words to label each side of the two triangles: *opposite*, *adjacent*, or *hypotenuse*.

Triangle 1



Triangle 2

