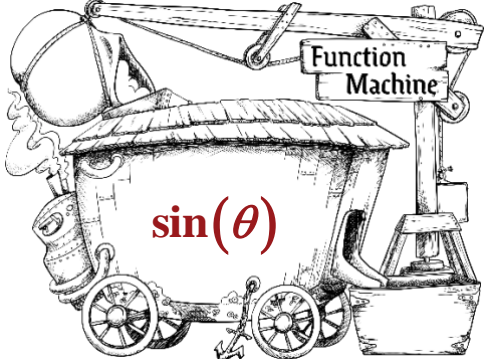


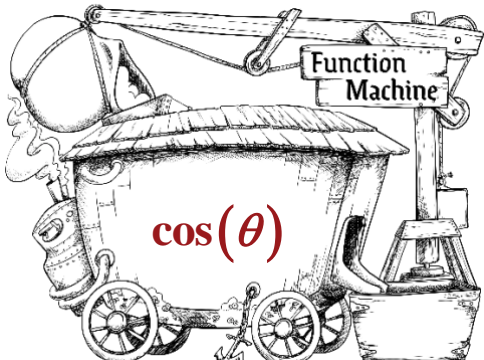
## INPUTS AND OUTPUTS

Use your knowledge of special angles to complete each of the following tables.

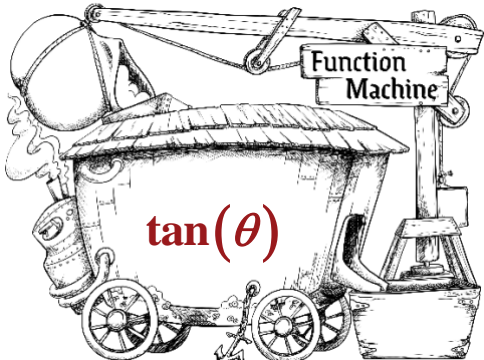
### Sine

	$\theta$	$\sin(\theta)$	ratio
	30°		
	45°		
	60°		

### Cosine

	$\theta$	$\cos(\theta)$	ratio
	30°		
	45°		
	60°		

### Tangent

	$\theta$	$\tan(\theta)$	ratio
	30°		
	45°		
	60°		